

## ZOMM SERIES

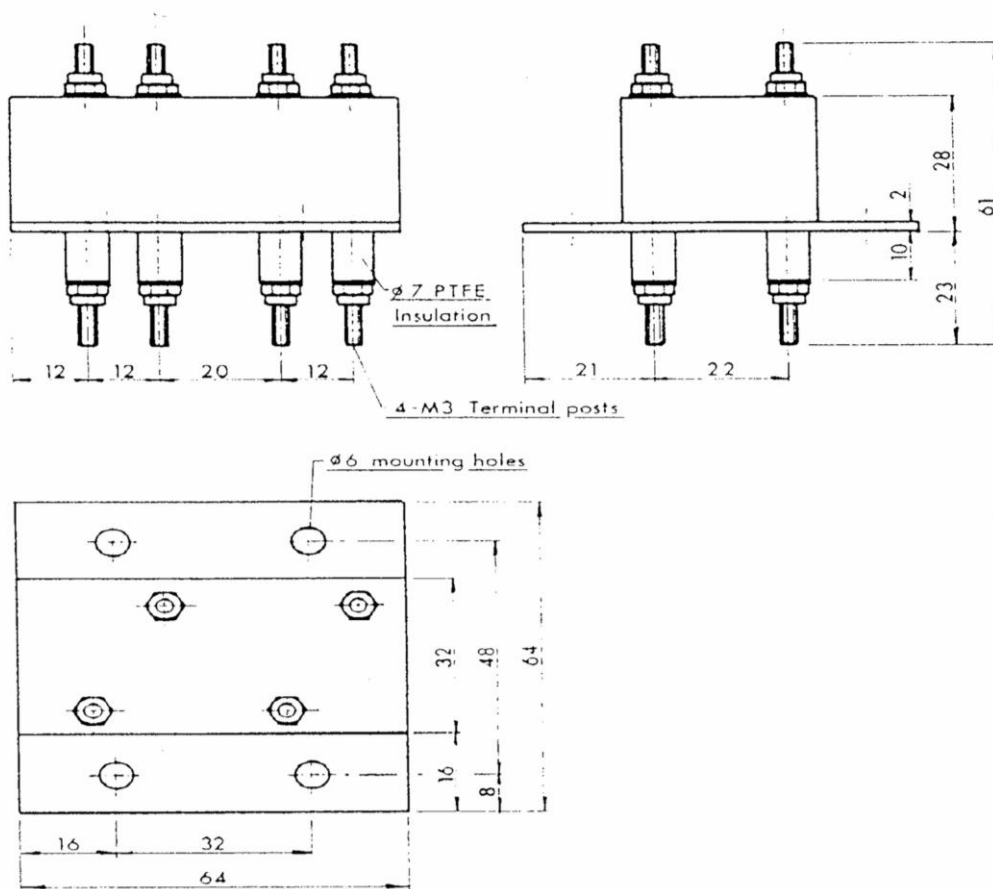
### ZOMM 127 / (XXX) / 1 / 4

(XXX)	400	401	402	403	404	405	406	407	408	409	410	411
Continuous Operating Voltage : a.c. (rms)	50	60	95	110	120	135	150	180	220	250	280	350
Energy per channel (Joules) (10/1000µs)	28	35	50	55	65	75	80	90	110	130	140	150
Max. Peak Clamping Volts at 50A (8/20µs)	180	210	-	-	-	-	-	-	-	-	-	
Max. Peak Clamping Volts at 100A (8/20µs)	-	-	250	310	330	380	420	525	650	710	825	910

#### Characteristics:

No. of channels	4
50 Shot ( 4/20µs ) Repetitive Duty	1000A
Response Time	<10ns
Continuous Current per Channel	10A
Max. ( 8/20µs ) Current per Channel	6500A
Leakage Current per Channel at Rated Voltage, d.c.	<100µA
Through Inductance	<10µH
Volts Drop	Negligible
Terminations	3mm Dia. Brass
Bushes	PTFE
Earth Connection	To Base Plate
Recommended Torque per M3 Terminal	1.0Nm (Ensure terminal does not rotate)

## ZOMM 127 / (XXX) / 1 / 4



### Contacts

**PD Devices Ltd  
Old Station Yard,  
South Brent,  
Devon,  
TQ10 9AL, UK.**

**Telephone : +44 01364 649248  
Facsimile : +44 01364 649250  
E-mail Enquiries : [enquiries@pddevices.co.uk](mailto:enquiries@pddevices.co.uk)  
Web Site : [www.pddevices.co.uk](http://www.pddevices.co.uk)**

[enquiries@pddevices.co.uk](mailto:enquiries@pddevices.co.uk)

[www.pddevices.co.uk](http://www.pddevices.co.uk)

+44 (0)1364 649248